

BUTTERFLY VALVE (WAFER TYPE)

Specification & Features:

- Design Ref.: BS 3952, API-609, IS: 13095
- Mounting Flange according to ISO: 5211
- Available in Clutch Type Handles.
- Also Suitable for Actuator & Gear Mountings
- 100% Leak Tight Design
- Compact Design to Facilitate Installation
- No Part in Contact with Fluid Except Disc and Liner.



ITEM CODE # CI - 110

Materials of Construction

NAME OF PART	MATERIAL	STANDARD
Body	Cast Iron	BS 1561 GJL - 200
Disc	S.G. Iron / Stainless Steel	GGG 40 / CF8 / CF8M
Shaft	Stainless Steel	ASTM 276 TYPE 410
Lock Plate	Pressed Steel	
Handle & Lever	Pressed Steel	
Seat	Nitrile / EPDM / Silicon / Neoprene	
Bearing	Teflon	
Fastners	Alloy Steel	ASTM 193 B7 / A194 2H

Sizes / Dimensions

Sizes		Dimensions (mm)										
Inches	mm	A	B	C	Mounting Flange				H	I	J	K
					D	E	F	G				
1 1/2"	40	32	13	40	50	14	7	65	210	170	5	6
2"	50	42	13	51	50	17	7	65	230	170	6	7
2 1/2"	65	44	13	65	50	17	7	65	260	170	7	9
3"	80	44	15	81	50	17	7	65	270	195	10	13
4"	100	50	15	103	50	17	7	65	310	195	12	18
5"	125	56	19	125	70	17	9	90	335	320	20	31
6"	150	56	19	153	70	17	9	90	360	320	35	50
8"	200	60	19	201	70	19	9	90	440	320	65	88
10"	250	68	24	253	102	22	11	125	540	450	130	---
12"	300	78	24	300	102	22	11	125	580	450	235	---

Hydrostatic Test Pressure (Bar)

Series	Seat	Body
PN-10	10	15
PN-16	16	24

Suggested Operation

- Upto 200 mm : Hand Lever
- Over 200 mm : Gear

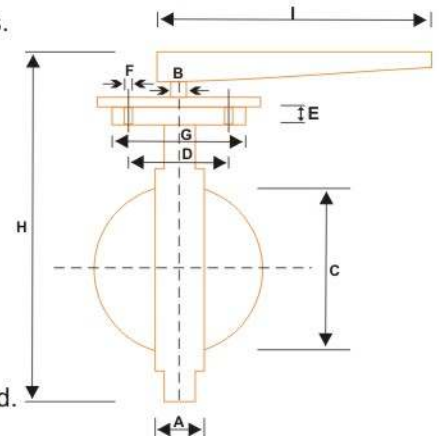
- ★ J & K - Operational Torques (Nm) for PN 10 & PN 16 Valves under Static Conditions.
- ★ Lower operational torques for lesser wear & tear and much enhanced life.

Applications

Paper & Pulp Industry, Waste & Effluent Treatment Plants, Water Treatment, Chemical & Sugar Industry, Fire Fighting, Drilling Rigs, Heating & Air Conditioning, Cooling Water Circulation, Compressed Air, Civil Constructions & numerous other applications.

Note

For temperatures ranging above 150°C to 210°C SILICON RUBBER and temperatures below 5°C to -10°C special NITRILE RUBBER, recommended & provided.



B.V.M. MANUFACTURERS & EXPORTERS

